

Motu

德国原创设计

Motu升降桌，玛祖铭立Westermann WP Office系列

Original German design

Motu adjustable desk, product of MATSU's partner Westermann WP Office



Focus Open 2017
Special Mention



GERMAN
DESIGN
AWARD
WINNER
2018

凭借独特的外观与优良的结构，荣获“德国设计大奖”与“FOCUS OPEN”特别提名奖

Winner of German Design Award and Focus Open Special Nomination because of its unique appearance and superior structure

德国品牌超静音电机，静享平稳升降

Super-silent motor of Germany brand ensures steady and quiet adjustment

独特A字形台脚，平稳支撑

Unique A-shaped table leg for stable support



两种台脚可选

宽版、窄版：钢制喷粉台脚黑色、白色可选（光面），宽版、窄版：白蜡木木质台脚

Two types of table leg available

Wide/Narrow: powdered steel table leg in black or white (glossy surface)
Wide/Narrow: ash wood table leg



液态办公，灵感自来

玛祖铭立合作伙伴Westermann推出的MOTU正是这样一款适应于“液态办公”的产品系列员工在这样的空间，自由移动，或站，或坐。他们是空间的使用者，也是空间的主宰者，主人翁意识在这样自主的“液态空间”中，自然而然贯穿其中。

让思想保持流动，换个姿态，换个视野，灵感自来。

Liquid office, source of inspiration

The Motu desk released by MATSU's cooperation partner Westermann is a series of products for "liquid office." Employees are free to move, stand or sit in such space. They are the user and dominator of space. Their sense of ownership runs through such independent "liquid space".

Keep ideas flowing. Change a posture, try another vision, and inspiration comes naturally.

升降范围 600mm - 1250mm

Adjustable range: 600mm - 1250mm



MOTU升降高度设置建议

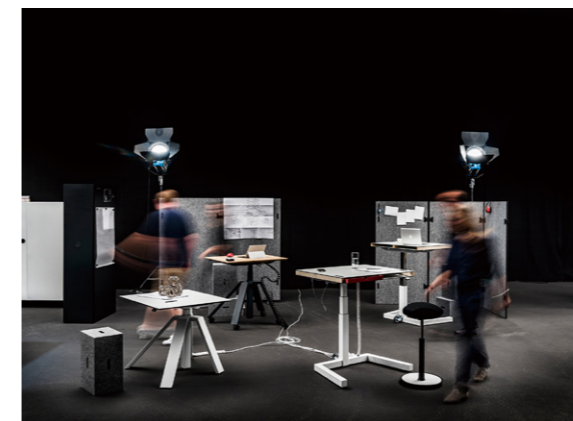
据人体工学研析与使用习惯设置

1000-1250 站立工作，可根据人的身高可以适当调节；

840 ± 20 适合视力强度要求较高的工作，如微型机械和仪表的组装，精确复制画图等；

740 ± 20 一般坐姿办公、学习。

680 ± 20 适合于精度要求不高、需求较大力气才能完成的手工作业，如包装、大零件安装、打字机上打字等



Recommendation for MOTU height adjustment

Adjust according to ergonomics and use habit

1000-1250: for standing during work; can be adjusted appropriately according to user's height

840 ± 20: for work with relatively high requirement for visual acuity, such as assembly of micro machines and accurate duplication of drawings

740 ± 20: for general working and studying in seating posture

680 ± 20: for handwork that requires plenty of strength but a relatively low level of accuracy, such as packaging, installation of large parts, and typing on a typewriter

智能升降, 智慧思考

Smart Adjustment, Smart Thinking

3个记忆位设置, 快速切换需求高度

家用用户可据不同设置不同使用者的常用高度

企业用户可据功能需求设置常用高度

不平稳提醒

运行过程中出现E02表示不平衡, 此时可以通过反向运行消除误差;

超载提醒

显示屏出现E04表示台面超载, 可以减少负载继续运行

碰撞保护提醒

E05表示碰撞保护, 反方向运行5cm后松开按键等待 E05消失, 显示屏显示正常高度即可以继续操作。

过热提醒

E06表示过热保护(次数保护)--连续运行6个全程来回 后会出现E06提示, 可以放置15min后待E06提示消失 后继续操作:

复位提醒

E07表示需复位, 按下降健5s直接进入复位状态(Es) 直至显示E01即完成。(每次断电再上电之后都会显示 E07, 需要复位之后才可以操作。)

线路异常提醒

E08/E09表示其中- 一个立柱无信号, 需检查线路是否正常, 要切断电源, 复位后可以正常操作。

Memory of 3 commonly used heights, quick switch to the desired height

Home user can set up commonly used heights for different users

Enterprise user can set up commonly used heights according to functions

Instability alert:

"E02" during operation means instability. The user can eliminate error through reverse operation.

Overloading alert:

"E04" means the desk top is overloaded. The user can reduce load to resume operation.

Collision protection alert:

"E05" means collision protection. Release the button after reverse operation for 5cm and wait until "E05" disappears. Resume operation when the monitor displays normal height.

Overheating alert:

"E06" means overheat protection (frequency protection). "E06" will pop up after continuous operation for 6 whole courses. The user can wait for 15min until the alert disappears, and then resume operation.

Reset alert:

"E07" means resetting is required. Press the "down" button for 5s to enter reset status (Es) until reset is completed, which is indicated by "E01." ("E07" will appear each time when power is turned back on after power off, and operation can only be resumed after resetting).

Circuit abnormality alert:

"E08 / E09" means one of the columns has no signals, and the user should check whether the circuit is normal. Normal operation can be resumed after cutting off power and resetting.



电力导轨, 灵动续航

- 打破固有墙插、地插模式, 开启电源新时代!
- 即用即加: 电器多, 随时加。
- 便捷灵活: 添加、移除、重新定位都可, 适配器可在轨道的任意位置随时插入, 满足实际用电位置的需要。不用提前考虑是在书桌左边还是右边的墙面预留电源。
- 安全使用: 轨道插入位置做线性处理, 宽度极窄, 人体任何部位都无法接触到轨道内部。
- 时尚整洁: 内嵌式电力导轨减轻桌面置物负担, 科学管理电源线路, 保持桌面整洁。

弹簧式上线方式

企业用户: 配合地插, 采用独特弹簧式上线方式。

家庭用户: 可直接通过电力导轨在桌下引线插墙插。

电力导轨适配长度

1400mm书桌, 800mm 电力导轨
1600mm书桌, 800mm 电力导轨
1800mm书桌, 800mm 电力导轨
2000mm书桌, 1200mm 电力导轨
2400mm书桌, 1400mm 电力导轨

Power rail, flexible power supply.

- No need of wall outlet or floor outlet. A new era of power supply!
- Add whenever you need; add more modules to accommodate more electrical appliances (consult customer service to add module)
- Convenient and flexible: add, remove or relocate as you like; adapters can be inserted into any part of the rail, to meet the actual need of power supply. No need to consider in advance whether to prepare power supply on the left or right of the desk.
- Safe to use: the rail has gone through linear processing for the insertion of adaptors and is too narrow for any part of human body to touch its inside.
- Fashionable and neat: embedded power rail reduces the burden of desk top; scientific management of power circuit keeps the desk top clean and tidy by eliminating wall outlet and floor outlet.

Spring cable installation method:

Enterprise user: unique cable installation method with spring wire using floor outlet.

Home user: cable goes through the power rail under the desk into wall outlet.

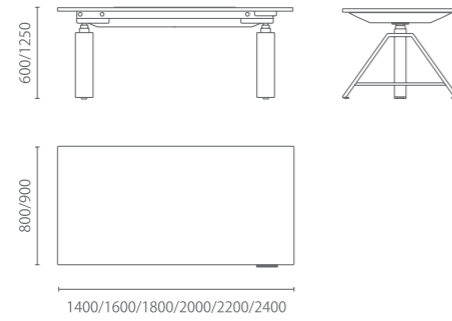
Standard length of power rail

1400mm deck: 800mm power rail
1600mm deck: 800mm power rail
1800mm deck: 800mm power rail
2000mm deck: 1200mm power rail
2400mm deck: 1400mm power rail



Height Adjustable Table with Wide Steel Leg, Single Table\ Meeting Table

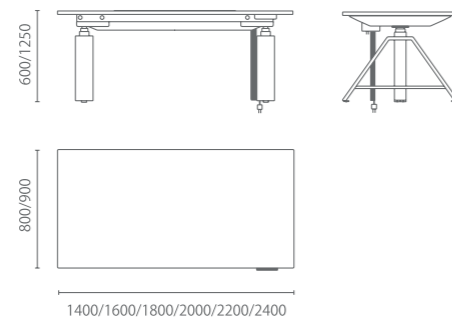
钢制宽脚升降桌_独立台、会议桌



独立台Model型号:	A-PLUS-S-D-	1408	1608	1808	2008	2208	2408	1409	1609	1809	2009	2209	2409
会议桌Model型号:	A-PLUS-S-M-	1408	1608	1808	2008	2208	2408	1409	1609	1809	2009	2209	2409
Size 尺寸:	W	1400	1600	1800	2000	2200	2400	1400	1600	1800	2000	2200	2400
	D	800	800	800	800	800	800	900	900	900	900	900	900
	H	600 - 1250											

Height Adjustable Table with Wide Wooden Leg, Single Table\ Meeting Table

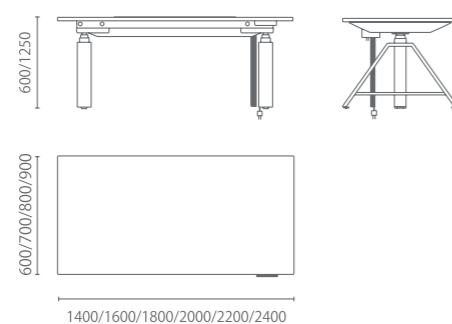
木质宽脚升降桌_独立台、会议桌



独立台Model型号:	A-PLUS-W-D-	1408	1608	1808	2008	2208	2408	1409	1609	1809	2009	2209	2409
会议桌Model型号:	A-PLUS-W-M-	1408	1608	1808	2008	2208	2408	1409	1609	1809	2009	2209	2409
Size 尺寸:	W	1400	1600	1800	2000	2200	2400	1400	1600	1800	2000	2200	2400
	D	800	800	800	800	800	800	900	900	900	900	900	900
	H	600 - 1250											

Height Adjustable Table with Narrow Steel Leg

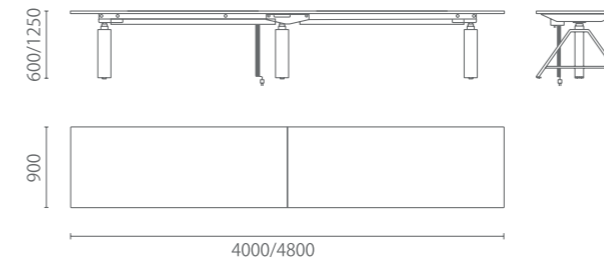
钢制窄脚升降桌_独立



独立台Model型号:	A-S-D-	1406	1606	1407	1607	1408	1608	1808	2008	2208	2408	1409	1609	1809	2009	2209	2409
Size 尺寸:	W	1400	1600	1400	1600	1400	1600	1800	2000	2200	2400	1400	1600	1800	2000	2200	2400
	D	600	600	700	700	800	800	800	800	800	800	900	900	900	900	900	900
	H	600 - 1250										600 - 1250					

Height Adjustable Table with Wide Steel Leg, Meeting Table

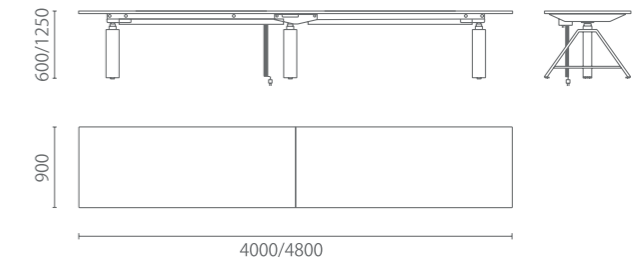
钢制宽脚会议桌



Model型号:	A-PLUS-S-M-	4009	4809
Size 尺寸:	W	4000	4800
	D	900	900
	H	600 - 1250	

Height Adjustable Table with Wide Wooden Leg, Meeting Table

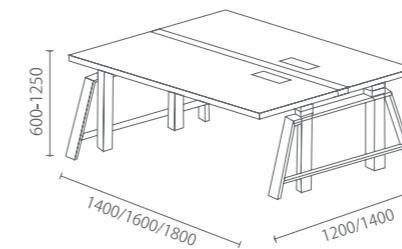
木制宽脚会议桌



Model型号:	A-PLUS-W-M-	4009	4809
Size 尺寸:	W	4000	4800
	D	900	900
	H	600 - 1250	

Height Adjustable Table with Narrow Steel Leg, for staff

钢制窄脚升降桌_员工



Model型号:	A-S-B-	1406	1606	1806	1407	1607	1807
Size 尺寸:	W	1400	1600	1800	1400	1600	1800
	D	1200	1200	1200	1400	1400	1400
	H	600 - 1250					

材质与功能

德国原版设计并监制
德国品牌电机，电动升降
独立桌、员工位配桌底钢制线盒，会议桌配桌底钢制线槽

Material and Function

Original German design Et supervision,
Elevator mechanism,
Steel cable box under the desk
Steel cable slot under the meeting table

选配项

电力导轨
强电模块
USB模块
高保真立体声 蓝牙音箱
员工位选配布面屏风、主机架

Options

Power rail
Power electronic module
USB module
Bluetooth speaker
Hi-fi stereo Bluetooth speaker
Fabric upholstered panel, The mainframe shelf

颜色:

台面多种材质可选: MFC、实木贴面、烤漆
两种台脚可选: 钢制喷粉台脚黑色、白色可选(光面), 白蜡木木质台脚

Colour

Table top Options: MFC, Veneer, lacquered
Powdered steel table leg in black Et white or ash wood table leg

